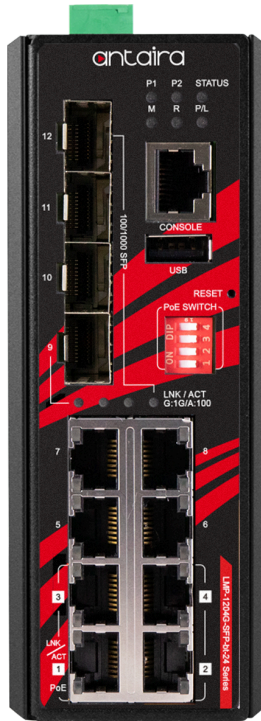


## LMP-1204G-SFP-bt-24(-T)

## LMP-1204G-SFP-bt(-T)



## MANAGED GIGABIT bt POE++ ETHERNET SWITCH WITH LOW POWER INPUT

## MANAGED GIGABIT bt POE++ ETHERNET SWITCH

### PORT CONFIGURATION

- Supports 4\*10/100/1000T IEEE 802.3bt Compliant with 90W/Port, 4\*10/100/1000T IEEE 802.3af/at Compliant with 30W/Port, and 4\*100/1000 SFP Slots

### MANAGEMENT

- ITU-T G.8032 Ethernet Ring Protection Switch (ERPS) Protocol
- IEEE 802.1D STP (Spanning Tree Protocol), IEEE 802.1w RSTP (Rapid Spanning Tree Protocol), IEEE 802.1s MSTP (Multiple Spanning Tree Protocol)
- Static Routes, ARP, NAT
- SNMPv1/v2c/v3, RMON, Modbus TCP, and HTTP/HTTPS

### SECURITY

- RADIUS, TACACS+, 802.1X Authentication
- ACL, IP Source Guard
- VLAN, QoS, and, SNMPv3

### RUGGED DESIGN

- IP30 Rugged Metal Case Design
- Redundant Power Input
- Fanless Operation
- Power Reverse Polarity Protection
- High EFT and ESD Protection
- Operating Temperature - STD: -10°C to 65°C, EOT: -40°C to 75°C
- NDA A and TAA Compliant
- 5-Year Warranty

## INTRODUCTION

Antaira Technologies' LMP-1204G-SFP-bt(-24) series is a 12-port industrial Gigabit PoE++ managed Ethernet switch embedded with 4\*10/100/1000T Ethernet ports that support IEEE 802.3bt for a maximum of 90W/port, 4\*10/100/1000T Ethernet ports with IEEE 802.3af/at support for a maximum of 30W/Port, and 4\*100/1000 dual rate SFP slots for fiber connection. The LMP-1204G-SFP-bt(-24) series is a fully manageable Light Layer 3 Ethernet switch that is pre-loaded with a user-friendly web management console design. It supports the ring network redundancy function using the market's open standard ITU-T G.8032 Ethernet Ring Protection Switch (ERPS) protocol that has a <50ms network recovery time. The advanced network filtering and security functions, such as IGMP, VLAN, QoS, SNMP, RMON, Modbus TCP, and 802.1X/HTTPS/SSH/SSL increase determinism and improve network management for remote SCADA systems or control networks.

The LMP-1204G-SFP-bt(-24) series is IP30 rated and DIN-rail mountable. There are also two wide-operating temperature models for either a standard temperature range (STD: -10°C to 65°C) or an extended temperature range (EOT: -40°C to 75°C). It also provides high EFT and ESD protection for industrial networking applications, such as power/utility, water wastewater, oil/gas/mining, factory automation, security surveillance, ITS and any other outdoor or harsh environment.

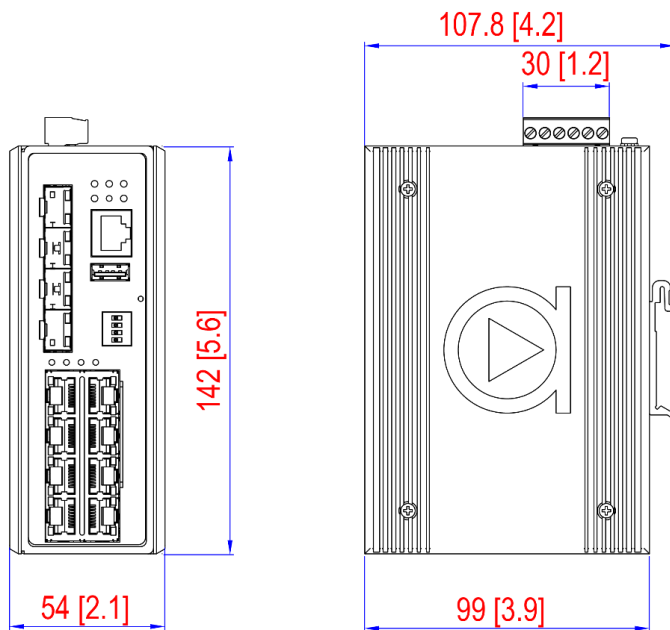
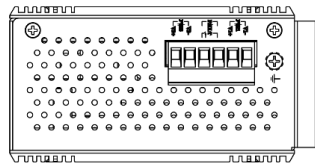
# SPECIFICATIONS

## Hardware Specifications

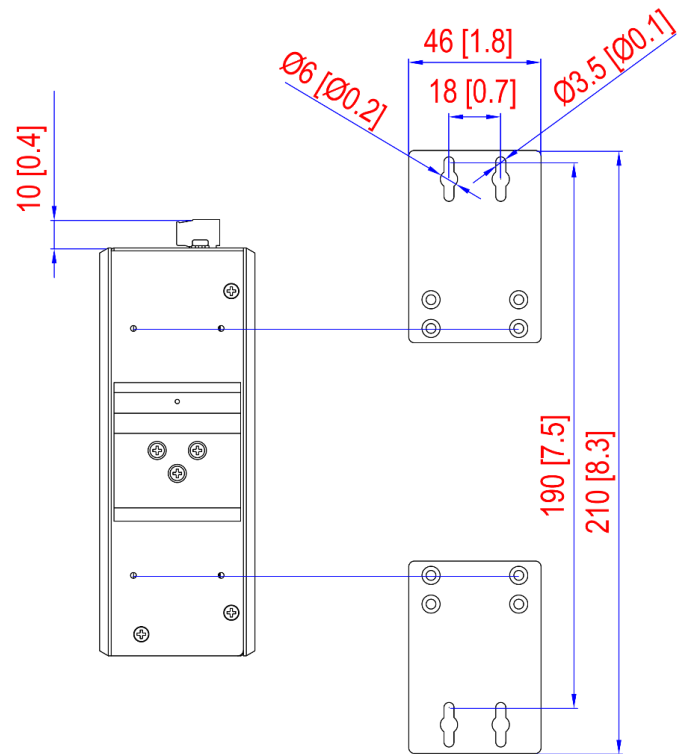
Part Number	Total Ports	RJ-45 GE	90W PoE++	30W PoE+	1G SFP	PoE Power Budget	System Power	Input Voltage	Operating Temp.
LMP-1204G-SFP-bt-24	12	8	4	4	4	240W	12.5W	12-55VDC	-10 to 65°C 14 to 149°F
LMP-1204G-SFP-bt-24-T	12	8	4	4	4	240W	12.5W	12-55VDC	-40 to 75°C -40 to 167°F
LMP-1204G-SFP-bt	12	8	4	4	4	240W	12.5W	48-55VDC	-10 to 65°C 14 to 149°F
LMP-1204G-SFP-bt-T	12	8	4	4	4	240W	12.5W	48-55VDC	-40 to 75°C -40 to 167°F

## Physical Specifications

Part Number	Dimensions (W x H x D)	Weight (Unit)	Weight (Shipping)	Mounting	Housing	PoE LED Indicator	PoE Pin Assignment
LMP-1204G-SFP-bt-24 LMP-1204G-SFP-bt-24-T LMP-1204G-SFP-bt LMP-1204G-SFP-bt-T	54 x 142 x 99mm 2.1 x 5.5 x 3.8in	1.13kg 2.53 lbs	1.51kg 3.33 lbs	DIN-Rail, Wall Mount	Metal, IP30	Yes	V+, V+, V-, V-, for pin 1, 2, 3, 6 (End-span, Mode A) V+, V+, V-, V-, for pin 4, 5, 7, 8 *Support Modes: Mode A, Mode B, 4-Pair Mode



Unit: mm (inch)



Din-rail

Wall-mount

Standards		
Part Number	IEEE Standards	
LMP-1204G-SFP-bt-24 LMP-1204G-SFP-bt-24-T  LMP-1204G-SFP-bt LMP-1204G-SFP-bt-T	IEEE 802.3 10BASE-T Ethernet IEEE 802.3u 100BASE-TX Fast Ethernet IEEE 802.3ab 1000BASE-T Gigabit Ethernet IEEE 802.3z Gigabit Fiber IEEE 802.3af Power over Ethernet IEEE 802.3at Power over Ethernet Plus IEEE 802.3bt Power over Ethernet Plus Plus	IEEE 802.3x Flow Control for Full Duplex IEEE 802.3ad for Port Trunk with LACP IEEE 802.1D STP (Spanning Tree Protocol) IEEE 802.1w RSTP (Rapid Spanning Tree Protocol) IEEE 802.1s MSTP (Multiple Spanning Tree Protocol) IEEE 802.1Q for VLAN Tagging IEEE 802.1X for Network Authentication IEEE 802.1p QoS/CoS Protocol for Traffic Prioritization ITU-T G.8032/Y.1344 ERPS (Ethernet Ring Protection Switch) IEEE 802.1AB Link Layer Discovery Protocol (LLDP)

## Key Firmware Features

VLAN	Private VLAN Port-based VLAN IP Subnet-based VLAN GARP/GVRP Guest VLAN	MAC-based VLAN Protocol-based VLAN VLAN Trunking Voice VLAN
Layer 2 Switching	STP MSTP RSTP Port Mirror Loop Guard BPDU Guard	MEP G.8032 ESP v1/v2 Loop Detection LACP Error Disable Recovery
Layer 2 Multicast	IGMPv1/v2/v3 Snooping IGMP Filtering IPMC Filtering Leave Proxy	MLDv1/v2 Snooping IPMC Throttling
Light Layer 3 Switching	Static Route ARP NAT	
QoS	802.1p Queueing Input Priority Mapping Port/Queue/ACL policer DiffServ (DSCP)	Port Egress Shaper Queue Egress Shaper Tag Remark Scheduler Mode
Power Saving	ActiPHY PerfectReach IEEE 802.3az EEE power management	
PoE	Power Budget Protection PoE Alive Check PoE Output Scheduling Persistent PoE	
Security	SSHv2 Port-based 802.1X MAC-based Authentication QoS Assignment TACACS+ Web/CLI Authentication Port Security IP Source Guard DHCP Snooping Secure Copy Protocol (SCP)	IP Based Access Filter Access Control List (ACL) ACL for Filtering/Policing/Port Copy VLAN Assignment IP MAC Binding User Privilege (15 levels) RADIUS Authentication and Accounting ARP Inspection Broadcast/Multicast/Unicast Storm Control Secure FTP
Management	IPv4/IPv6 LLDP/LLDP-MED DHCP Client DHCP Server DNS Proxy Syslog Daylight Saving RMON Command Line Interface (CLI) Relay Trigger Telnet Server and Client Dual Image Protection	SMTP SNMP v1/v2c/v3 HTTP/HTTPS DHCPv6 Client DNS Client ICMPv6 Time Zone NTP Client sFlow Power Lost Warning DHCP Option 82 TFTP

	Ping6 DDMI	Ping USB Configuration Backup/Restore Modbus TCP
--	---------------	--

## Switch Properties

Specification		Specification	
Switch Architecture	Back-Plane (Switching Fabric): 24Gbps	MAC Table Size	8K
Priority Queues	8	VLAN Group	4095
Processing Type	Store and Forward	IGMP Group	1024
Flow Control	IEEE 802.3x flow control, back pressure flow control	RS232 Serial Console	1*RS232 in RJ45
Packet Buffer	4Mbits	Relay Contact	24VDC, 1A resistive
Transfer Rate	14,880pps for Ethernet Port 148,800pps for Fast Ethernet Port 1,488,000pps for Gigabit Ethernet Port	Overload Current Protection	Present
Jumbo Frame	9.6Kbytes	Reverse Polarity Protection	Present

## Compliance Specifications

EMI	FCC Part 15 Subpart B Class A EN 61000-6-4 Class A CE EN55032
EMS	CE EN 55035 EN 61000-6-2 IEC 61000-4-2,3,4,5,6,8
Free Fall	IEC 60068-2-32
Shock	IEC 60068-2-27
Vibration	IEC 60068-2-6
Green	RoHS Compliant
Certifications	FCC, CE UL 61010-1, UL 61010-2-201 UL Class 1 Division 2, ISA12.12.01
Storage Temperature	-40 to 85°C (-40 to 185°F)
Ambient Relative Humidity	5% to 95%, (non-condensing)
Country of Origin	Made in Taiwan
Warranty	5 Years

## Mean Time Between Failures (MTBF)

Part Number	MTBF (Telcordia SR-332, Issue 3)	Part Number	MTBF (Telcordia SR-332, Issue 3)
LMP-1204G-SFP-bt-24 LMP-1204G-SFP-bt-24-T	332,002.8188 hrs.	LMP-1204G-SFP-bt LMP-1204G-SFP-bt-T	342,877.1912 hrs.

## ORDERING INFORMATION

### Switch Models

Part Number	Description
LMP-1204G-SFP-bt-24	12-Port Industrial Gigabit IEEE 802.3bt PoE++ Light Layer 3 Managed Ethernet Switch, with 4*10/100/1000T (90W/Port), 4*10/100/1000T (30W/Port), and 4*100/1000 SFP Slots; 12-55VDC Power Input
LMP-1204G-SFP-bt-24-T	12-Port Industrial Gigabit IEEE 802.3bt PoE++ Light Layer 3 Managed Ethernet Switch, with 4*10/100/1000T (90W/Port), 4*10/100/1000T (30W/Port), and 4*100/1000 SFP Slots; 12-55VDC Power Input; EOT: -40°C to 75°C
LMP-1204G-SFP-bt	12-Port Industrial Gigabit IEEE 802.3bt PoE++ Light Layer 3 Managed Ethernet Switch, with 4*10/100/1000T (90W/Port), 4*10/100/1000T (30W/Port), and 4*100/1000 SFP Slots; 48-55VDC Power Input
LMP-1204G-SFP-bt-T	12-Port Industrial Gigabit IEEE 802.3bt PoE++ Light Layer 3 Managed Ethernet Switch, with 4*10/100/1000T (90W/Port), 4*10/100/1000T (30W/Port), and 4*100/1000 SFP Slots; 48-55VDC Power Input; EOT: -40°C to 75°C

### Power Supply Options

Part Number	Wattage	Input Voltage	PoE/PoE+ Support	Operating Temperature
HDR-30-24	36W	85-264VAC	Yes, Voltage Adjust 21.6-29VDC	-30-70°C / -22-158°F
HDR-60-24	60W	88-264VAC	Yes, Voltage Adjust 21.6-29VDC	-30-70°C / -22-158°F
MDR-60-24	60W	85-264VAC	Yes, Voltage Adjust 24-30VDC	-20-70°C / -4-158°F
EDR-75-48	75W	90-264VAC	Yes, Voltage Adjust 48-55VDC	-20-60°C / -4-140°F
NDR-75-48	75W	90-264VAC	Yes, Voltage Adjust 48-55VDC	-20-70°C / -4-158°F
DR-75-48	75W	85-264VAC	Yes, Voltage Adjust 48-53VDC	-10-60°C / 14-140°F
EDR-120-48	120W	90-264VAC	Yes, Voltage Adjust 48-55VDC	-20-60°C / -4-140°F
NDR-120-24	120W	90-264VAC	Yes, Voltage Adjust 24-28VDC	-20-70°C / -4-158°F
DR-120-48	120W	88-264VAC	Yes, Voltage Adjust 48-53VDC	-10-60°C / 14-140°F
NDR-240-48	240W	90-264VAC	Yes, Voltage Adjust 48-55VDC	-20-70°C / -4-158°F
SDR-240-24	240W	88-264VAC	Yes, Voltage Adjust 24-28VDC	-25-70°C / -13-158°F
SDR-240-48	240W	88-264VAC	Yes, Voltage Adjust 48-55VDC	-25-70°C / -13-158°F

### SFP Transceiver Series Options

SFP-TM02	100Mbps SFP Transceiver/LC, MMF, 2KM, 1310nm, 0°C ~ 70°C
SFP-TM02-T	100Mbps SFP Transceiver/LC, MMF, 2KM, 1310nm, -40°C ~ 85°C
SFP-TS30	100Mbps SFP Transceiver/LC, SMF, 30KM, 1310nm, 0°C ~ 70°C
SFP-TS30-T	100Mbps SFP Transceiver/LC, SMF, 30KM, 1310nm, -40°C ~ 85°C
SFP-GM00	1Gbps SFP Transceiver/LC, MMF, 550M, 850nm, 0°C ~ 70°C
SFP-GM00-T	1Gbps SFP Transceiver/LC, MMF, 550M, 850nm, -40°C ~ 85°C
SFP-GM02	1Gbps SFP Transceiver/LC, MMF, 2KM, 1310nm, 0°C ~ 70°C
SFP-GM02-T	1Gbps SFP Transceiver/LC, MMF, 2KM, 1310nm, -40°C ~ 85°C
SFP-GS10	1Gbps SFP Transceiver/LC, SMF, 10KM, 1310nm, 0°C ~ 70°C
SFP-GS10-T	1Gbps SFP Transceiver/LC, SMF, 10KM, 1310nm, -40°C ~ 85°C

SFP-GS20	1Gbps SFP Transceiver/LC, SMF, 20KM, 1310nm, 0°C ~ 70°C
SFP-GS20-T	1Gbps SFP Transceiver/LC, SMF, 20KM, 1310nm, -40°C ~ 85°C
SFP-GS40	1Gbps SFP Transceiver/LC, SMF, 40KM, 1310nm, 0°C ~ 70°C
SFP-GS40-T	1Gbps SFP Transceiver/LC, SMF, 40KM, 1310nm, -40°C ~ 85°C
SFP-GS60	1Gbps SFP Transceiver/LC, SMF, 60KM, 1550nm, 0°C ~ 70°C
SFP-GS60-T	1Gbps SFP Transceiver/LC, SMF, 60KM, 1550nm, -40°C ~ 85°C
SFP-GS80	1Gbps SFP Transceiver/LC, SMF, 80KM, 1550nm, 0°C ~ 70°C
SFP-GS80-T	1Gbps SFP Transceiver/LC, SMF, 80KM, 1550nm, -40°C ~ 85°C

© Antaira Technologies, LLC. All rights reserved. 202511  
Specifications are subject to change without notice and without incurring any obligation.